

→ **Series Hygienic 4060**



■ MATERIAL



■ SPECIFICATION



■ SUITABLE FOR

Liquids	neutral and non-neutral	
Air, gases and vapours	neutral and non-neutral	
Steam		

■ EXAMPLES OF USE

- For the protection of:
- processes, plants and containers in the food and pharmaceutical industry for air, neutral and non-neutral vapours and gases, steam and liquids
  - food industry
  - Dairy industry
  - breweries and beverage industry
  - pharmaceutical industry
  - Cosmetic industry
  - Medical technology
  - Clean Service applications

■ FEATURES

- Smooth and faultless surface finish optimized for cleaning process
- Minimal dead space in inlet area and no gaps in the valve
- Exposed and rinsed o-ring seals
- Shape of valve body avoids forming of puddles in the valve after it has opened
- Suitable for CIP/SIP due to pneumatic lifting device
- Gap-free installation of seals in contact with the medium
- Surface roughness standard Ra<0,8 µm (Internal product wetted parts), Ra<1,6 µm (outside, not product wetted parts)
- Moulded diaphragm to divide the product chamber from the spring housing
- Dead space ratio L/D < 0,9

■ APPROVALS

TÜV-Type test approval 2111	D/G, F
EU type examination	S/G, L
TR ZU 032/2013 - TR ZU 010/2011	D/G (S/G), F (L)
<b>Requirements</b>	
DIN EN ISO 4126-1	AD 2000 Data sheet A2
DGR 2014/68/EU	VdTÜV Guideline SV 100
TRD 421	

■ MATERIALS

Component	Material	DIN EN	ASME
Body	Stainless steel	1.4435	316 L
Inner parts, wetted	Stainless steel	1.4435	316 L
Upper section, other inner parts	Stainless steel	1.4404	316 L
Spring	Stainless steel	1.4310	302

Series 4060 ■ VALVE VERSION

<b>t</b>	Standard with diaphragm	for neutral and non-neutral media. Spring, moving parts and the environment are protected from being affected by the medium.
----------	-------------------------	---

Parts which are difficult to clean in the guide, the spring housing and the spindle / disc combination are protected against soiling by elastomer diaphragm.

■ MEDIUM

<b>GF</b>	gaseous and liquid	Air, vapours, gases, liquids and - depending on safety valve version and seal - also for steam
-----------	--------------------	--

■ TYPE OF LIFTING MECHANISM

<b>P</b>	Pneumatic lifting device
<b>L</b>	with lifting lever
<b>O</b>	without lifting device, with additional gas-tight cap

■ AVAILABLE NOMINAL DIAMETERS AND CONNECTION SIZES

Connection type		RODIN
Nominal diameter DN		25
Inlet DN	Standard	25
Outlet DN	25 (1")	■

■ TYPE OF CONNECTION INLET / OUTLET

<b>RODIN / RODIN</b>	Standard	pipe connection / pipe connection	Pipe standard DIN 11850 / 11866-A
----------------------	----------	-----------------------------------	-----------------------------------

other connections on request

■ SEALS / DIAPHRAGM

<b>FKM</b>	Fluorcarbon	Seals / diaphragms	FDA, USP	-20°C to +200°C
<b>EPDM</b>	Ethylene propylene diene	Seals / diaphragms	FDA, USP	-40°C to +170°C
<b>HNBR</b>	Hydrogenated acrylonitrile butadiene rubber	Seals / diaphragms	FDA	-20°C to +150°C

■ NOMINAL DIAMETERS, CONNECTIONS, INSTALLATION DIMENSIONS

Series Hygienic 4060: Connection, installation dimensions, ranges of adjustment		
Nominal diameter	DN	25
Connection type <sup>1)</sup>		Pipe
Connection inlet	da x t	29 x 1,5
Connection outlet	da x t	29 x 1,5
Installation dimensions in mm	L	80
	L1 <sup>4)</sup>	132
	L2	120
	h	38
	h1	20
	H	177
	H1 <sup>3)</sup>	212
	H2 <sup>4)</sup>	350
Compressed air connection in mm	S	6
	$\alpha_w / K_{dr}$ (F)	0,33
	$\alpha_w / K_{dr}$ (D/G) <sup>2)</sup>	0,44
	do	24,5
Weight	kg	3,3
	kg <sup>3)</sup>	3,6
	kg <sup>4)</sup>	3,7
	Range of adjustment	bar

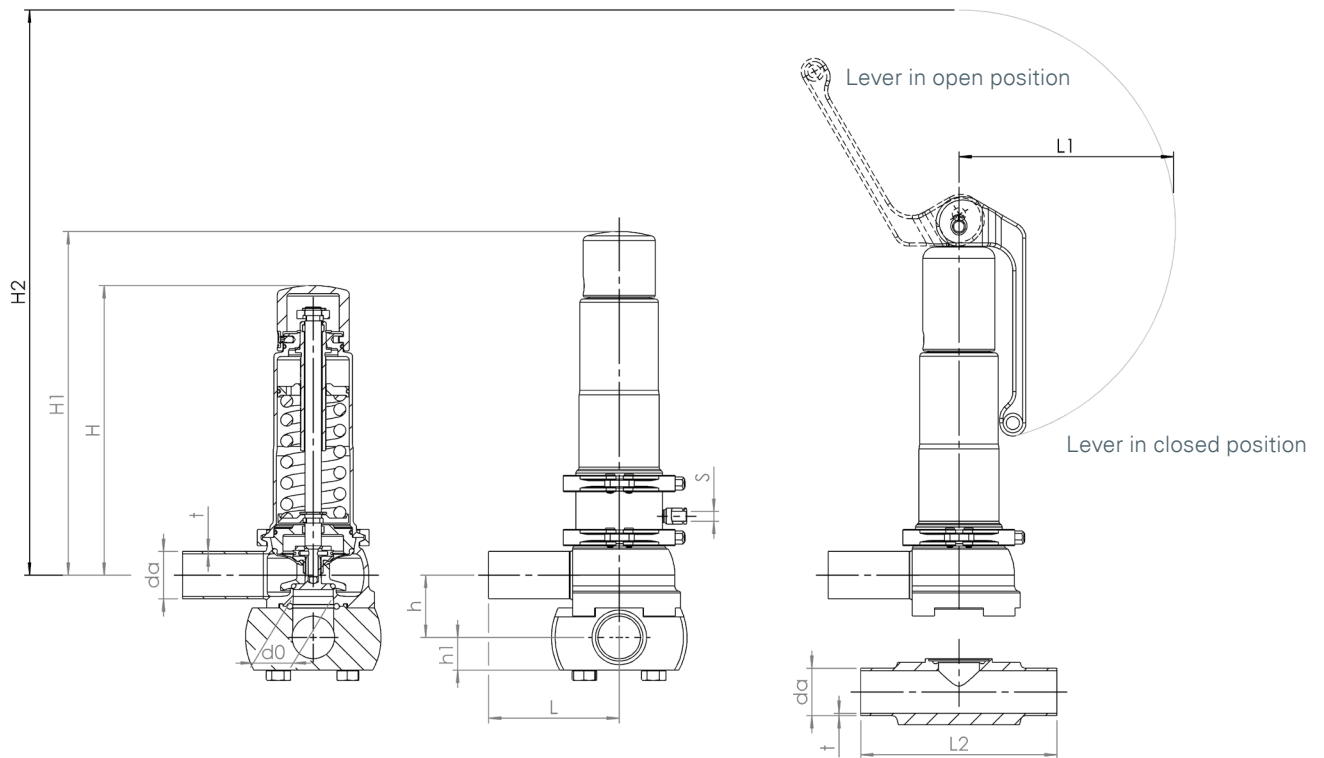
<sup>1)</sup> further connection size possible, Dimensions according to separate main dimension

<sup>2)</sup> Coefficient of flow for D/G valid for 6 bar or more, for smaller set pressures see values in capacity table.

<sup>3)</sup> Values for version with pneumatic lifting device

<sup>4)</sup> Values for version with lifting lever

■ MAIN DIMENSIONS, INSTALLATION DIMENSIONS



Series 4060 ■ INDIVIDUAL SELECTION / VALVE CONFIGURATION

Series	Valve version	Medium	Lifting device	Nominal diameter DN	Connection type		Connection type		Seal	Options	Set pressure	Quantity
					Inlet	Outlet	Inlet	Outlet				
4060	t	GF	P	25	RODIN	RODIN	25	25	EPDM	P07	3,2	1
4060	t	GF										
4060	t	GF										
4060	t	GF										
4060	t	GF										

■ TECHNICAL FINISHES, VARIANTS, ACCESSORIES

<b>S62</b>	Inductive proximity sensor, fitted, for indication of valve position, including connection cable 5m <sup>1</sup>	<input type="checkbox"/>
		<input type="checkbox"/>
		<input type="checkbox"/>

<sup>1</sup>not available for version tGFL (with lifting lever)

■ PROPERTIES

<b>P01</b>	Oil- and grease-free production	<input type="checkbox"/>	<input type="checkbox"/>
<b>P05</b>	Quality of surfaces in contact with media in inlet Ra <= 0.4	<input type="checkbox"/>	<input type="checkbox"/>
<b>P07</b>	Electropolished surfaces	<input type="checkbox"/>	<input type="checkbox"/>

■ CERTIFICATES / APPROVALS

<b>C01</b>	Factory certificate acc. DIN EN 10204 2.2 (WKZ 2.2)	<input type="checkbox"/>	<b>C06</b>	ATEX evaluation acc. to 2014/34/EU	<input type="checkbox"/>
<b>C02</b>	Test certificate acc. DIN EN 10204 3.1 (WPZ 3.1)	<input type="checkbox"/>	<b>C07</b>	SIL evaluation relating to IEC 61508-2	<input type="checkbox"/>
<b>C03</b>	Material test certificate acc. DIN EN 10204 3.1 (MPZ 3.1) (pressure retaining part)	<input type="checkbox"/>	<b>C09</b>	Seat tightness test with helium, leak detection method under vacuum incl. Factory Inspection Certificate 3.1 acc. to DIN EN 10204	<input type="checkbox"/>
<b>C04</b>	TÜV/DEKRA individual inspection acc. EN 10204 3.2 (TÜV/DEKRA-APZ)	<input type="checkbox"/>	<b>C10</b>	Certificate of oil- and grease free production	<input type="checkbox"/>
<b>C05-1</b>	Sealing material Manufacturer certification (FDA, USP,...), Please indicate description of certificate: .....	<input type="checkbox"/>			<input type="checkbox"/>

■ ADMISSIONS / ACCREDITATIONS

<b>AA1</b>	EC Type examination acc. to Directive 2014/68/EU	<input type="checkbox"/>	<b>AL</b>	Individual inspection by notified body inspector – (body to be indicated): .....	<input type="checkbox"/>
<b>AA2</b>	TÜV component test acc. to VdTÜV specification sheet SV 100	<input type="checkbox"/>			<input type="checkbox"/>
<b>AA4</b>	EAC - certificate/declaration with passport for the valve and laser marking of the valve	<input type="checkbox"/>			<input type="checkbox"/>
					<input type="checkbox"/>

■ ENQUIRY

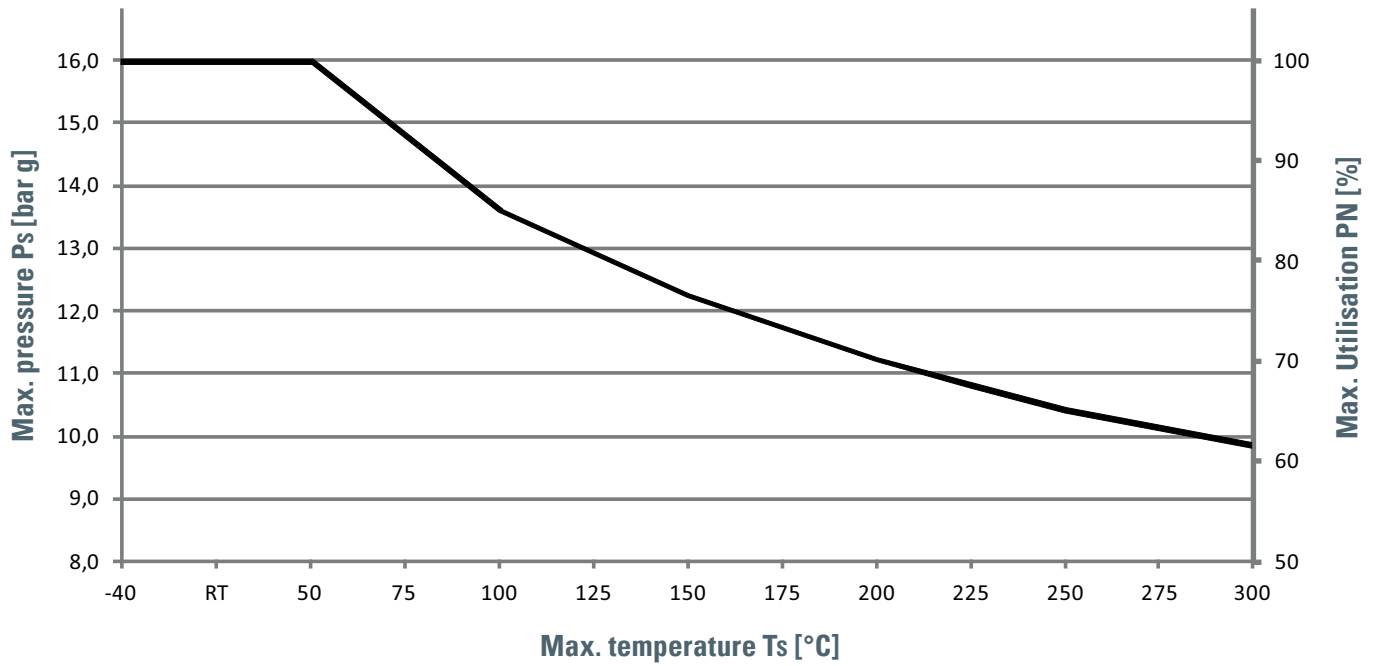
Copy and send to: [order@goetze-armaturen.de](mailto:order@goetze-armaturen.de).

Order form easily to be found online under the section for each series.

Series Hygienic 4060: Blowing-off rates at 10% above set pressure					
Nominal diameter DN	Set pressure bar (g)	25			
		d <sub>0</sub> = 24,5 mm			
		I	II	III	
Air I Nm <sup>3</sup> /h	0,4	144,3	119,0	5,5	
	0,7	193,7	155,5	6,2	
	1,0	239,2	190,4	7,3	
	1,5	319,1	252,2	8,9	
	2,0	395,3	310,6	10,3	
	2,5	465,4	363,9	11,6	
	3,0	536,1	417,4	12,7	
	3,5	604,6	469,1	13,7	
	Steam II kg/h	4,0	673,2	520,7	14,6
		4,5	741,8	572,2	15,5
5,0		810,3	623,6	16,4	
Water III m <sup>3</sup> /h	5,5	878,9	674,9	17,2	
	6,0	947,5	726,0	17,9	
	6,5	1016,0	777,2	18,7	
	7,0	1084,6	828,4	19,4	
	7,5	1153,2	879,5	20,1	
	8,0	1221,7	930,5	20,7	
	8,5	1290,3	981,5	21,3	
	9,0	1358,9	1032,4	22,0	
	9,5	1427,4	1083,4	22,6	
	10,0	1496,0	1134,3	23,2	
	11,0	1633,1	1236,3	24,3	
12,0	1770,3	1338,0	25,4		
13,0	1907,4	1439,6	26,4		
14,0	2044,5	1541,6	27,4		
15,0	2181,7	1643,6	28,4		
16,0	2318,8	1745,2	29,3		

**Pressure-/ temperature rating**

PN 16 | Material: 1.4404 / 1.4435



**Control air pneumatic lifting device (max. 6 bar)**

